

# BURGLAR-PROOF YOUR DOORS

**74%**  
of intruders go through  
the door



**43%**  
get through the door by  
**forcing the lock**

Only **10%**  
force a window  
lock to get in

## How locks are **forced**



Lock  
Drilling

Lock  
Bumping



Lock  
Snapping

Lock  
Picking



**9/10**  
of forced locks  
are snapped

## Which locks **protect** from what?



### No accreditation

**Not tested** to protect  
against any type of break-in

Master Locksmith Tested  
**No**



### Kitemark 1 Star

1\* locks alone only protect  
from **1 in 10** forced lock  
break-ins.

Master Locksmith Tested  
**No**



### Kitemark 3 Stars

Tested against  
**4 break-in methods**

Master Locksmith Tested  
**No**



### Sold Secure Diamond

Tested against  
**All known break-in  
methods**

Master Locksmith Tested  
**Yes**

**SSD - the toughest test.**  
Master Locksmiths use more  
tools with no time limits. Very  
few **3\* locks** achieve this



The only tool that opens  
an **Ultion** locked door

**ULTION**   
[www.ultion-lock.co.uk](http://www.ultion-lock.co.uk)

# ULTION

## STAYS LOCKED

When the Ultion lock detects an attack, it goes into

### Lock Down Mode

A hidden attack lock secures the mechanism.

#### Double

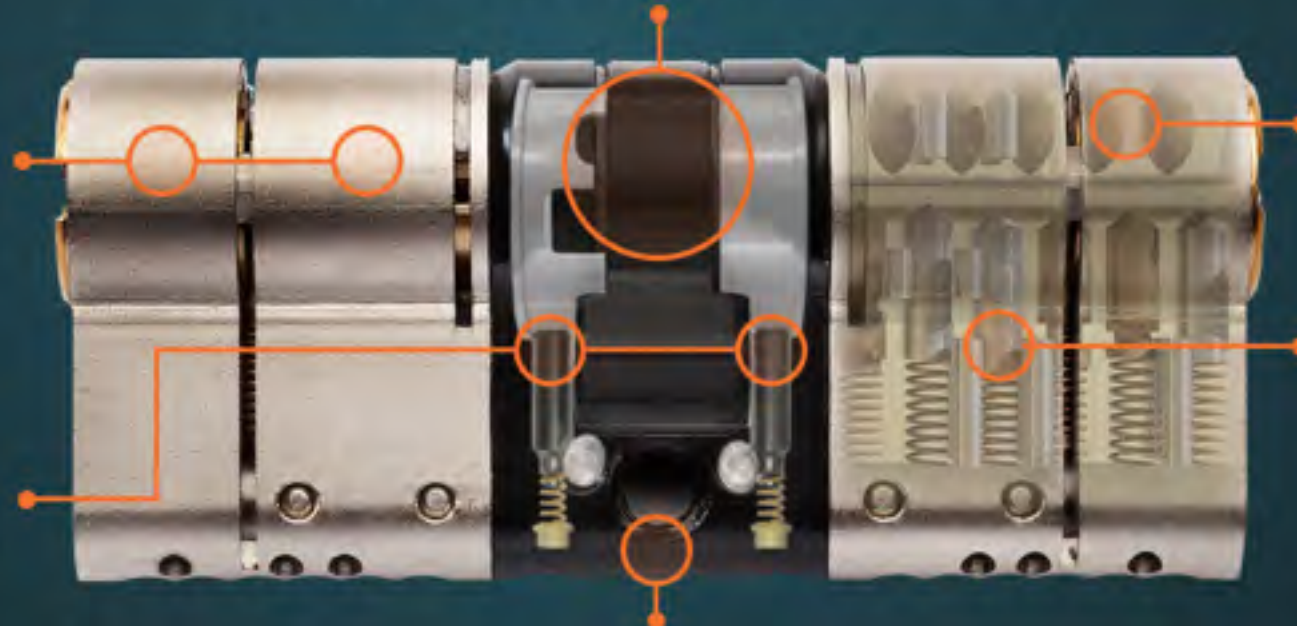
##### Anti-Snap protection

The intruder needs to snap Ultion twice before he see's the core.

#### 2

##### Attack locks

Lock still works from inside after an attack.



#### 11

##### Pins

Twice as many as normal locks.

#### 8

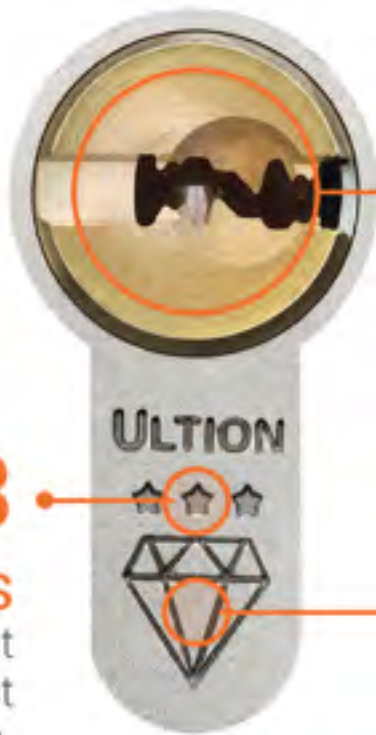
##### Drill Defences

6 hardened steel rods and 2 plates in both ends.

#### 25%

##### Denser than iron

The molybdenum core that houses the attack pins.



#### 3

##### Stars

The highest TS007 test rating.

#### Protects for longer

The close keyway wipes debris off the key to stop jamming and lockouts.

#### 1

##### Sold Secure Diamond

The standard most 3 star locks can't achieve.



#### 294,970

##### Combinations

Produced from the 11 pins.

#### 0

##### Magnets

Magnetised keys carry metal filings from other keys and coins into the lock.



# £1000 GUARANTEE

If an intruder breaks into your home by snapping Ultion we'll pay you £1000

Register your lock for Free

[www.ultion-lock.co.uk](http://www.ultion-lock.co.uk)